

LUDV control block of sandwich plate design

RE 64125/02.11
Replaces: 01.10

1/22

Type SX 14, SX 14 S

Nominal size 14
Series 2X
Maximum pressure, pump side 250 bar
Maximum pressure, actuator side 300 bar
Inlet flow 175 l/min

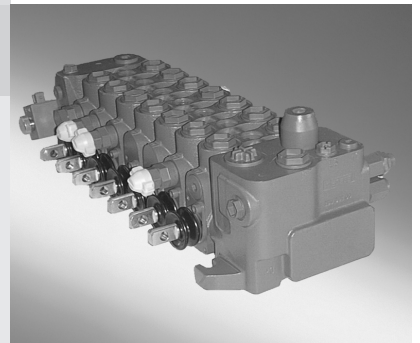


Table of contents

Contents	Page
Special features	1
About this datasheet	2
Sections	3
Functional description, Symbol	4
Technical data	5, 6
Characteristic curves	7
Ordering details	8 to 11
Inlet elements	12
Directional valve elements	13 to 15
Final elements, Circuit example	16
Unit dimensions	17 to 20
Assembly possibilities	21
Pipe connections	22

Special features

- Distributes the flow between the directional valve elements according to the requirements, independently of the pressure and available flow.
- Compact sandwich plate design, can be combined so that the control block can meet the requirements of several type of machines.
- No shuttle valves.
- Limitation of system maximum pressure via LS pressure relief valve.
- System protection via LS and secondary pressure relief valves.

About this datasheet

This manual describes functioning, technical data and ordering details of control blocks SX 14 and SX 14 S. This manual is illustrated with hydraulic symbols, sections and unit dimensions drawings.

Related documents

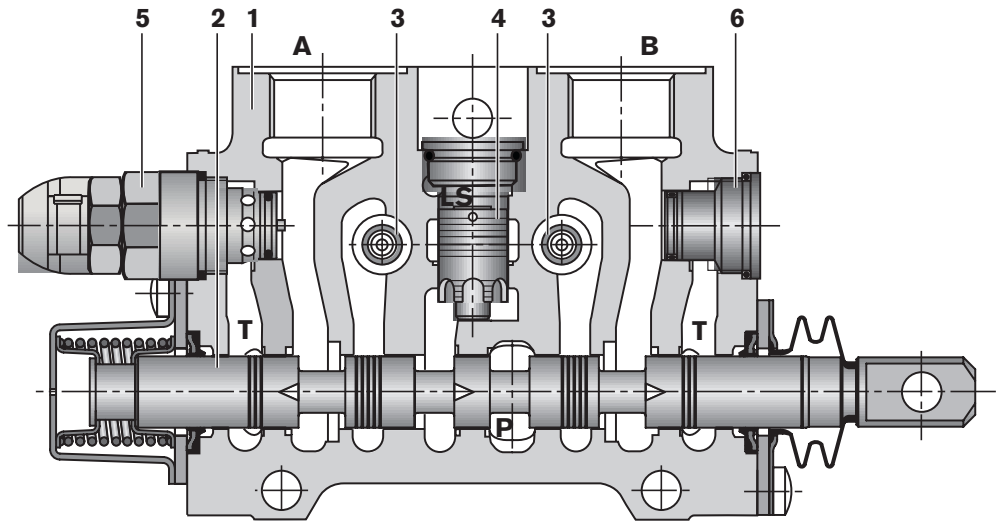
SX 14 and SX 14 S are system components.

- Also follow the instructions for the other system components.
- Also follow the instructions in the following manuals:
 - System documentation from the system manufacturer
 - Service instruction manual RE64025
 - Spare parts manual RDEF64125-E
 - Assembly Instructions RE64125-S

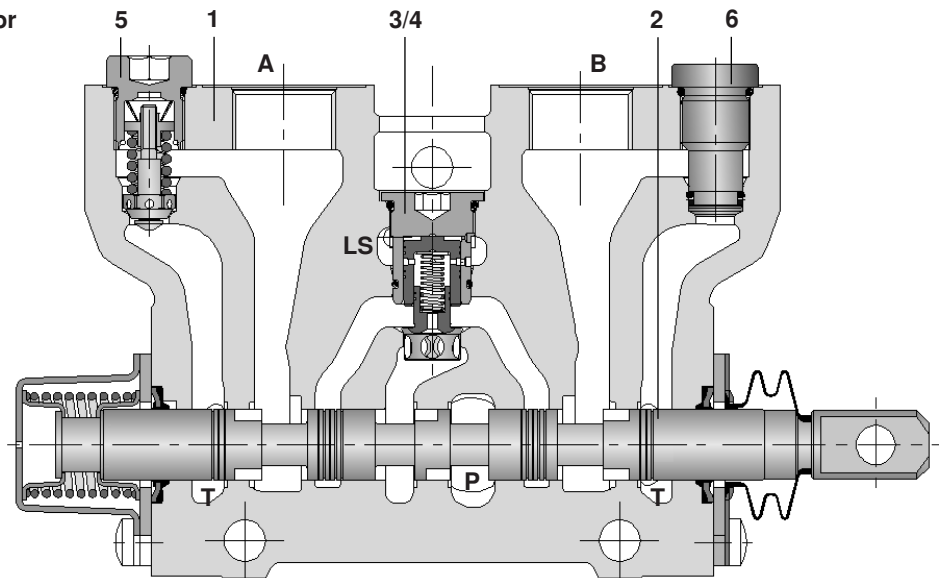
Sections

Standard SX 14 (SX 14)

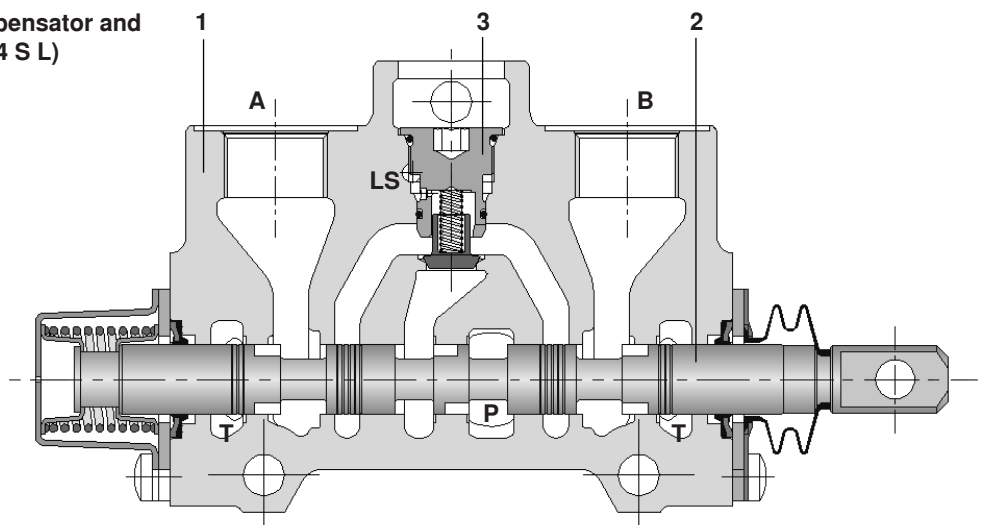
- 1 Housing
- 2 Spool
- 3 Check valves
- 4 Pressure compensator
- 5 Secondary valve
- 6 Plug



SX 14 S with pressure compensator and secondary valves (SX 14 S C)



SX 14 S without pressure compensator and without secondary valve (SX 14 S L)



Functional description

The SX 14 directional control block basically consists of one inlet element, a number of directional valve elements and one final element.

The inlet element contains 2 fixing points and the pipe connection ports P, T, LS, M.

This element also contains all the components required for the system function, namely: a flow control valve for the controlled unloading of the LS line and a LS relief valve for the limitation of the maximum pressure in the system.

Each standard SX 14 (SX 14) directional valve element is composed of a housing (1), a spool (2), two load holding

check valves (3), a pressure compensator (4), cavities (5) for secondary relief/anti-cavitation check valves, and anti-cavitation check valves or plugs (6).

Each SX 14 S directional valve element is composed of a housing (1), a spool (2), one load holding check valve / compensator (3/4) or only a load hold check valve (3), and if needed of cavity for secondary valves (5) or for plugs (6).

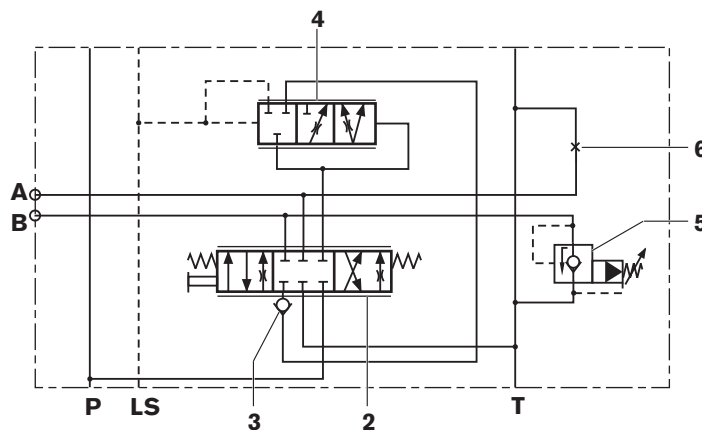
The final element has one fixing point.

Symbol, hydraulic

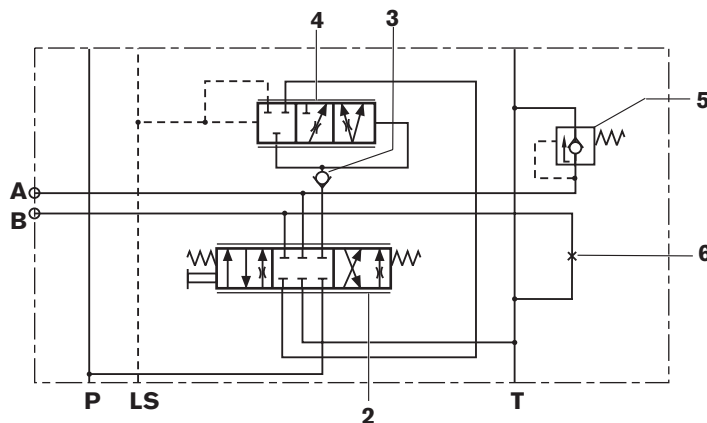
Standard SX 14 (SX 14)

Ports

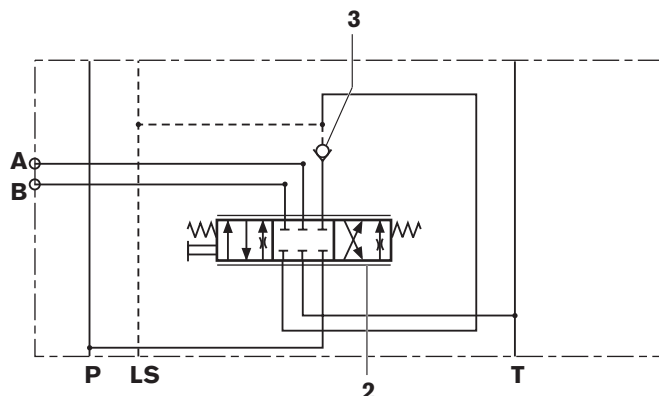
- P Pump
- A, B Actuator
- T Tank
- LS Load Sensing



SX 14 S with pressure compensator and secondary valves (SX 14 S C)



SX 14 S without pressure compensator and without secondary valve (SX 14 S L)



Technical data (for applications outside these parameters, please consult us!)**General**

Design	Flangeable (up to 9 directional valve elements)
Description	Flow distribution between the directional valve elements according to the requirements, independently of the pressure and available flow
Type	SX 14
Assembly position	Any
Connections	Threads
Nominal size	14
Standard primer	Blue (RAL 5010)

Hydraulic

Max. permissible flow on port P	l/min	175												
Standard leakage oil flow on load holding (at 100 bar, 36 mm ² /s)	cm ³ /mn	20												
Max. operating pressure per connection														
– P, M, LS, D, DLS	bar	250												
– A, B	bar	300												
– T	bar	20												
Secondary valves setting pressure tolerances (at 5 l/min)														
– H..0 direct actuated (SX14 S)	bar	<table border="1"> <thead> <tr> <th>setting</th> <th>tolerance</th> </tr> </thead> <tbody> <tr> <td>71 → 120</td> <td>-4 / +8</td> </tr> <tr> <td>121 → 200</td> <td>-6 / +12</td> </tr> <tr> <td>201 → 270</td> <td>-8 / +12</td> </tr> <tr> <td>271 → 320</td> <td>-10 / +14</td> </tr> <tr> <td>321 → 420</td> <td>-12 / +18</td> </tr> </tbody> </table>	setting	tolerance	71 → 120	-4 / +8	121 → 200	-6 / +12	201 → 270	-8 / +12	271 → 320	-10 / +14	321 → 420	-12 / +18
setting	tolerance													
71 → 120	-4 / +8													
121 → 200	-6 / +12													
201 → 270	-8 / +12													
271 → 320	-10 / +14													
321 → 420	-12 / +18													
– H..0 pilot operated (standard SX 14)	bar	0 / +5												
Max. control pressure per connection ¹⁾														
– a, b	bar	35												
		We recommend the use of control curve 6 to 25 bar, and inlet pressure (4TH6 curve no. 70)												
Pressure fluid		Mineral oils (HL, HLP) according to DIN 51524 ²⁾ . Other hydraulic fluids, such as HEES (synthetic esters) according to VDMA 24568, as well as hydraulic fluids as specified under RE 90221, at request.												
Pressure fluid temperature range	°C	-20 to +100 (for higher temperatures, please consult us)												
Viscosity range	mm ² /s	10 to 380												

¹⁾ pilot pressure regulated by a pressure reducing valve and protected by a relief valve

²⁾ suitable for NBR seals

Technical data (for applications outside these parameters, please consult us!)**Mechanical**

Weight	- Inlet element	kg	10
	- Directional valve element SX 14	kg	4.5
	- Directional valve element SX 14 S with secondary valves	kg	5
	- Directional valve element SX 14 S without secondary valve	kg	4
	- Blanking plate	kg	2
Spool return force	N	Minimum value 54, depending of operation (for more details please consult us)	
Max. permissible actuation force on the spool (for 1 million cycles)	- axial	N	1000 during 20 % of total cycles then 500
	- radial	N	20
	Storage temperature range, ambient	°C	-40 to +60

Electrical

Electrical detent when spool is pushed (operation S2) (datas for 25 °C)			
- supply voltage	V	12 (min. 10; max. 16)	
- supply current	mA	780 (min. 670; max. 785)	
- power input	W	9.35 ±5 %	
- resistance	Ω	15.4 ±5 Ω	
- lifetime		1 million cycles at 90 °C, work factor 50 %	
- protection classification		IP65	
- maximum temperature reached by the electro-magnet	°C	110 at a room temperature of 90 °C	
Solenoid On / Off (operation V212)			
- supply voltage	V	12	
- supply current	A	4	
- power input	W	48	
- resistance	Ω	3	

Application guidelines

		Pipe connections			
		A, B, P, T3	T	a, b, DLS, LS, M, T1	D
Tightening torque for the pipe connections	Nm	70	100	20	50
Recommended fixing		at 3 locations maximum			
Flatness of the mounting surface	mm	0.5			
Setting of system pressure		via the LS relief valve			

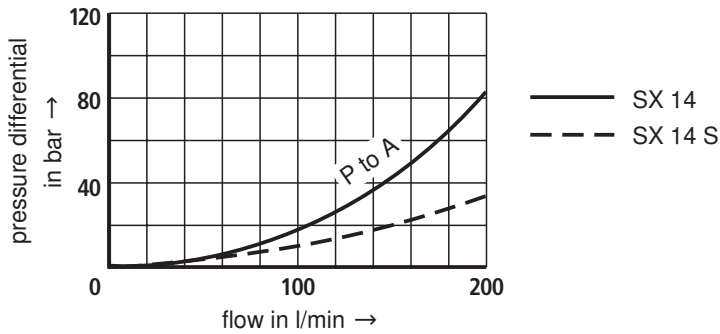
- Do not direct the jet of a pressure washing unit directly at the unit.

- No free-wheeling diode required for electrical operations.

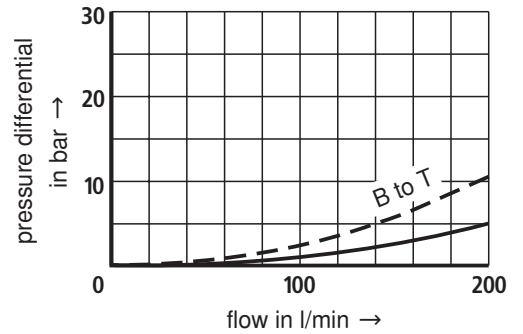
- Mechanical operation spool : a greasy appearance on the tongue side is normal (due to natural effect of seal lubrication). It could be necessary to proceed to a regular cleaning of this area.

Characteristic curves (measured at $v = 36 \text{ mm}^2/\text{s}$ and $\theta = 50 \text{ }^\circ\text{C}$)

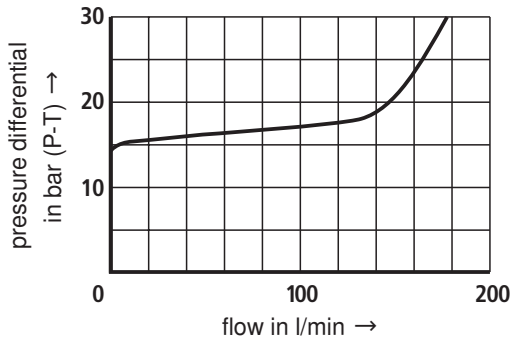
Pressure differential with P switched to A/B with spool 200 l/min



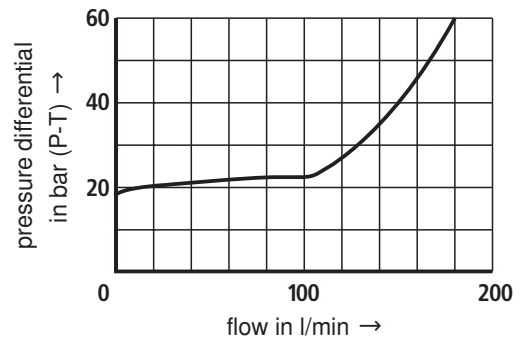
Pressure differential with A/B switched to T with spool 200 l/min



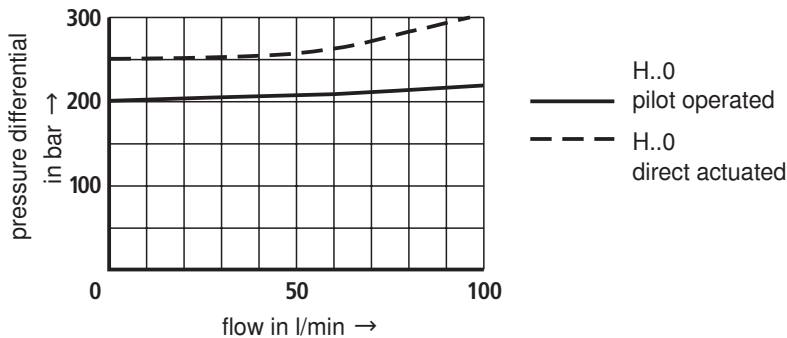
Pressure differential in the neutral position of inlet element type P (Open Center execution)



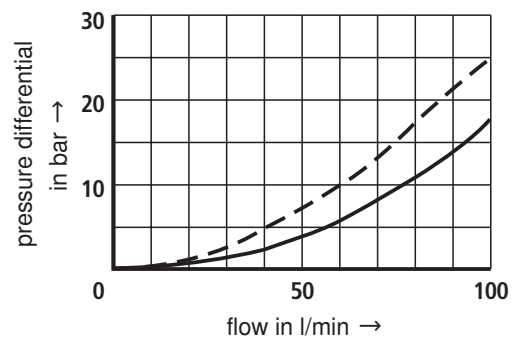
Pressure differential in the neutral position of the inlet element with flushing valve



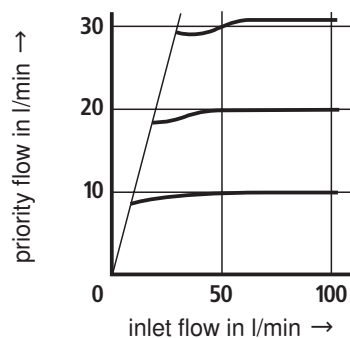
Secondaries valves characteristic A/B switched to T



Anti-cavitation check valves Characteristic T switched to A/B



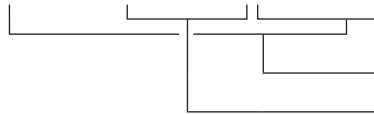
Priority flow in relationship to the inlet flow



Ordering details: separate elements

Inlet element

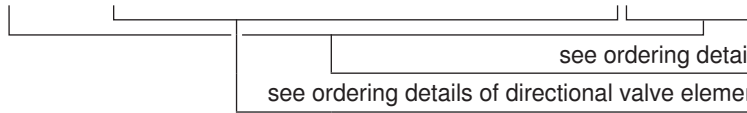
SX 14		2X/		..0	M		*
-------	--	-----	--	-----	---	--	---



see ordering details page 9
 see ordering details of inlet element page 9

Directional valve element

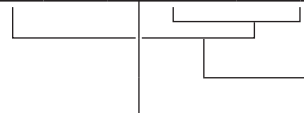
SX 14		2X/		..0	..0				M		*
-------	--	-----	--	-----	-----	--	--	--	---	--	---



see ordering details pages 9 and 10
 see ordering details of directional valve element pages 9 and 10

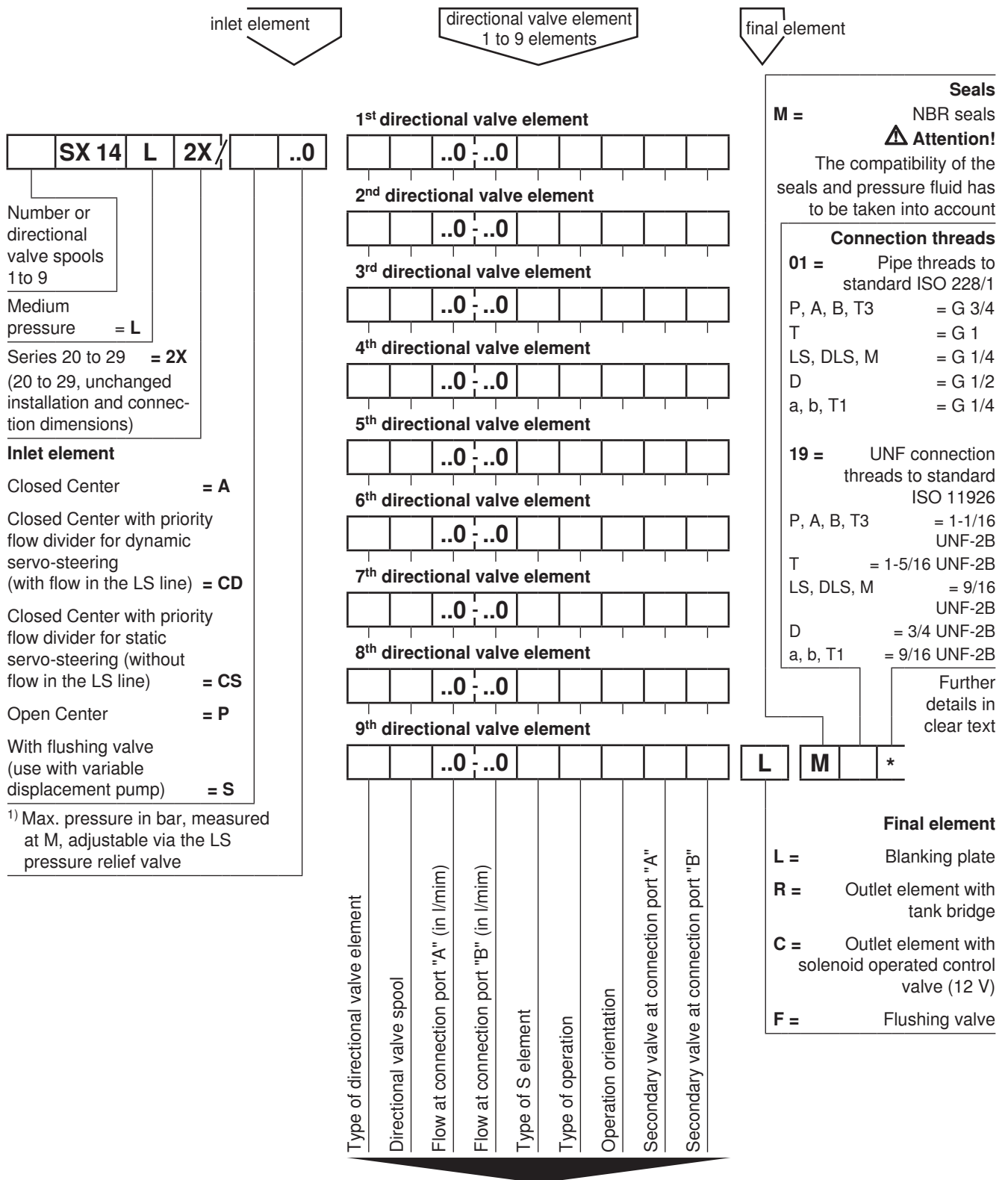
Final element

SX 14		2X/		M		*
-------	--	-----	--	---	--	---



see ordering details page 9
 see ordering details of final element page 9

Ordering details: SX 14 directional control block



ordering details : see page 10

¹⁾ set with a Δp of 15 bar between M and LS (not for inlet element in Open Center execution)

Ordering example: complete block SX 14

Desired execution: 4 directional valve elements

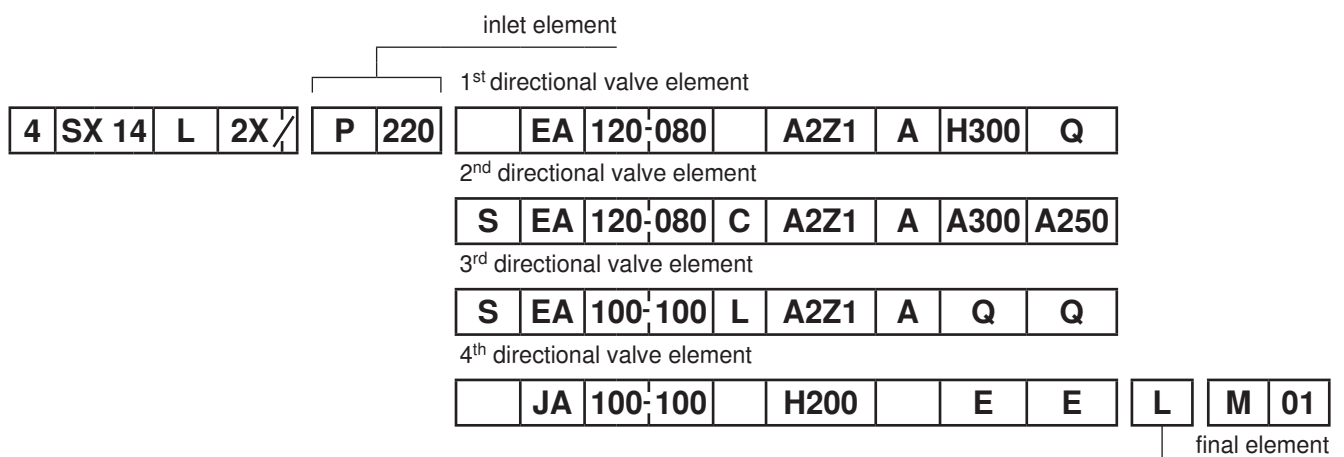
Inlet element: Open Center,
Max. pressure = 220 bar

4 directional valve elements:

- 1st element:
 - Standard element
 - Spool symbol = EA
 - Flow in A = 120 l/min, flow in B = 80 l/min
 - Mechanical operator with tongue on connection side A, spool return via a spring
 - Secondary valve in A = relief / anti-cavitation check valve set at 300 bar
 - Secondary valve in B = plug
- 2nd element:
 - S element
 - Spool symbol = EA
 - Flow in A = 120 l/min, flow in B = 80 l/min
 - Check valve + pressure compensator
 - Mechanical operator with tongue on connection side A, spool return via a spring
 - Secondary valve in A = direct actuated relief / anti-cavitation check valve set at 300 bar
 - Secondary valve in B = direct actuated relief / anti-cavitation check valve set at 250 bar
- 3rd element :
 - S element
 - Spool symbol = EA
 - Flow in A = 100 l/min, flow in B = 100 l/min
 - Check valve
 - Mechanical operator with tongue on connection side A, spool return via a spring
 - Plugs in A and B
- 4th element :
 - Standard element
 - Spool symbol = JA
 - Flow in A = 100 l/min, Flow in B = 100 l/min
 - Hydraulic operator, spool return via a spring
 - Secondary valves in A and B = anti-cavitation check valve

Final element : Blanking plate

Type code:

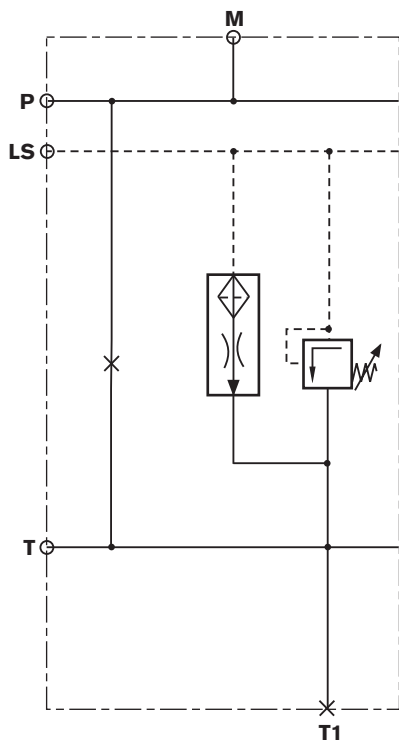


Inlet elements

Closed Center

Ordering detail

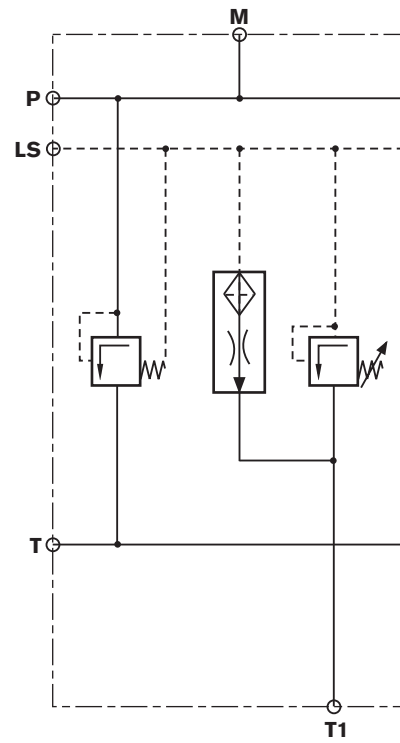
A



Open Center

Ordering detail

P

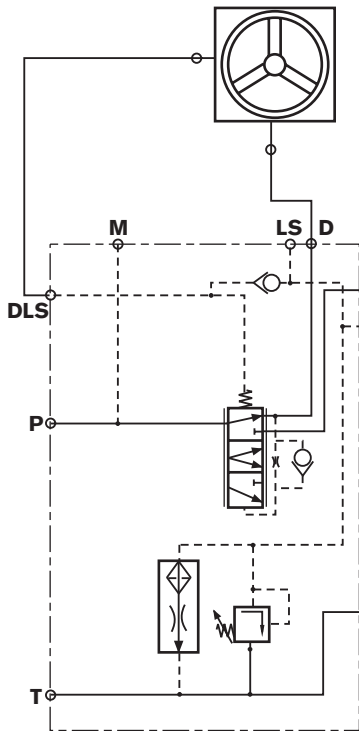


Closed Center with priority flow divider

for static servo-steering

Ordering detail

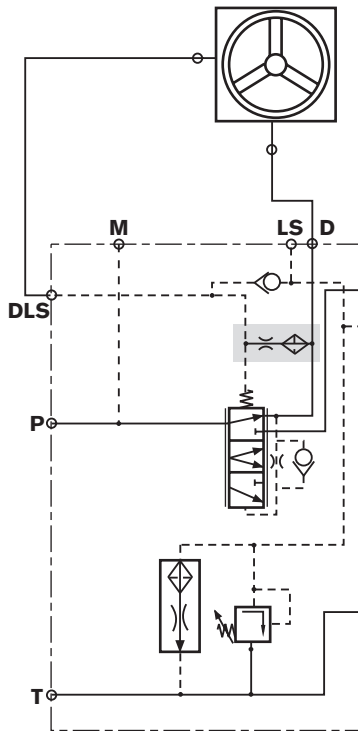
CS



for dynamic servo-steering

Ordering detail

CD

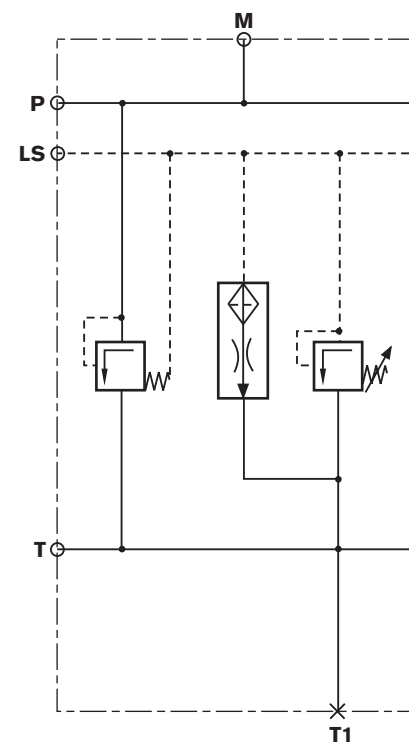


Flushing valve

(use with variable displacement pump and q_{min})

Ordering detail

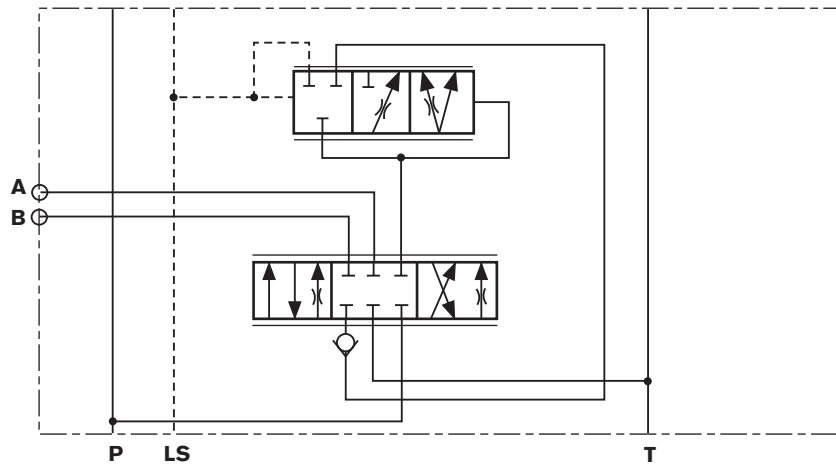
S



Directional valve elements

Representation of the SX directional valve element

Simplified symbol used to illustrate SX directional control circuits



Spool variations

Ordering detail

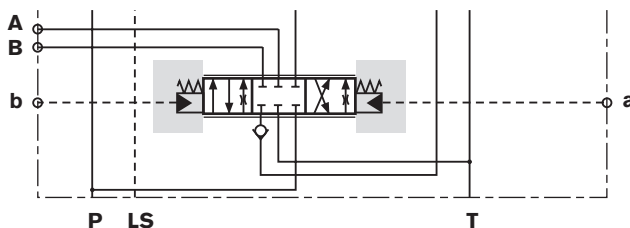
<p>EA...-... :</p>	<p>symbol EA</p>	
<p>JA...-... :</p>	<p>symbol JA</p>	
<p>QA...-... :</p>	<p>symbol QA</p>	
<p>WA...-... :</p>	<p>symbol WA</p>	

Directional valve elements

Type of operation

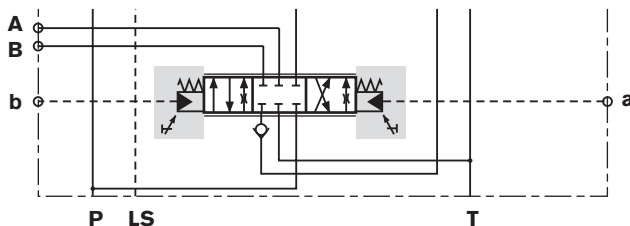
Hydraulic operator, spool return via a spring

Ordering detail
H200



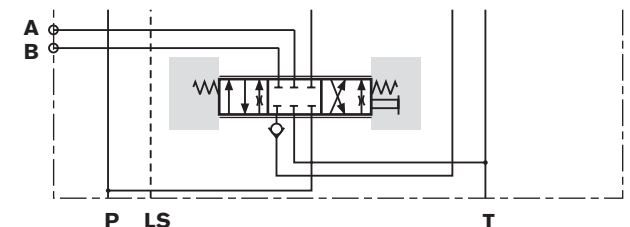
Hydraulic operator with stroke limitation, spool return via a spring

Ordering detail
H230



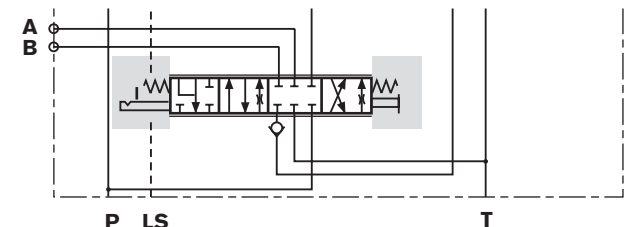
Mechanical operator with tongue on connection side A, spool return via a spring

Ordering detail
A2Z1A



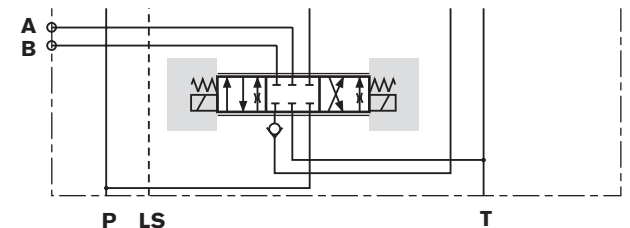
Mechanical operator with tongue on connection side A, spool return via a spring and mechanical detent when spool is pulled

Ordering detail
E2Z1A



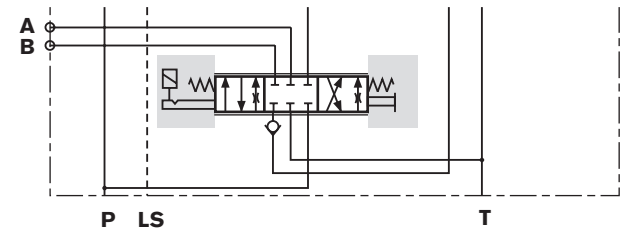
Direct electrical operation

Ordering detail
V212



Mechanical operator with tongue on connection side A, spool return via a spring and electrical detent when spool is pushed

Ordering detail
S2Z1A



Directional valve elements

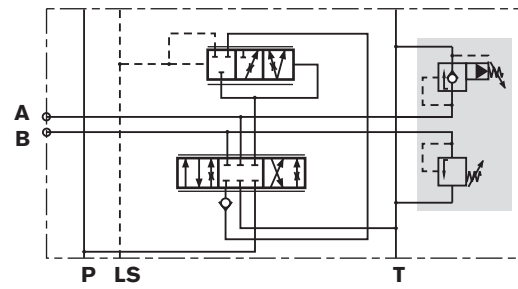
Secondary valves

Relief / anti-cavitation check valve, pilot operated (connection side A); direct actuated pressure relief valve (connection side B) on standard SX 14

(the setting of the given pressure values is carried out at a flow of 5 l/min)

Ordering detail

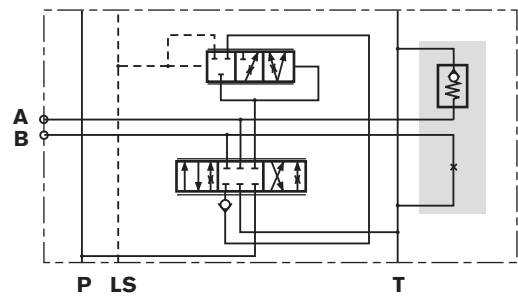
H...A...



Anti-cavitation check valve (connection side A); plug (connection side B) on standard SX 14

Ordering detail

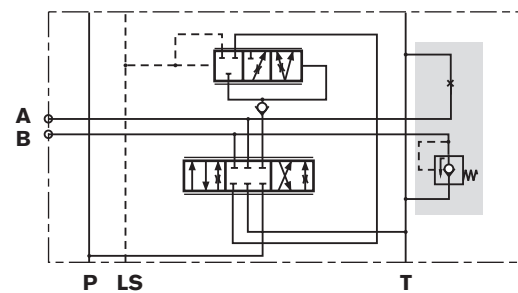
EQ



Plug (connection side A); direct actuated pressure relief valve (connection side B) on SX 14 S

Ordering detail

QH...

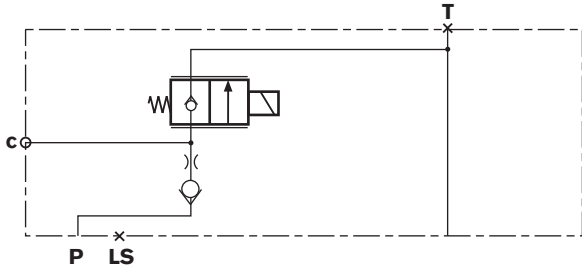


Final elements

Outlet element with solenoid operated control valve

Ordering detail

C

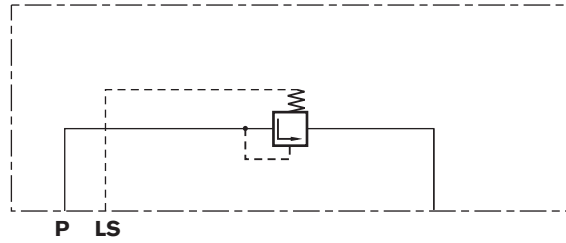


Outlet element with Flushing valve

(for use with inlet element CS or CD)

Ordering detail

F



Blanking plate

Ordering detail

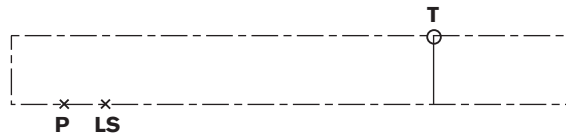
L



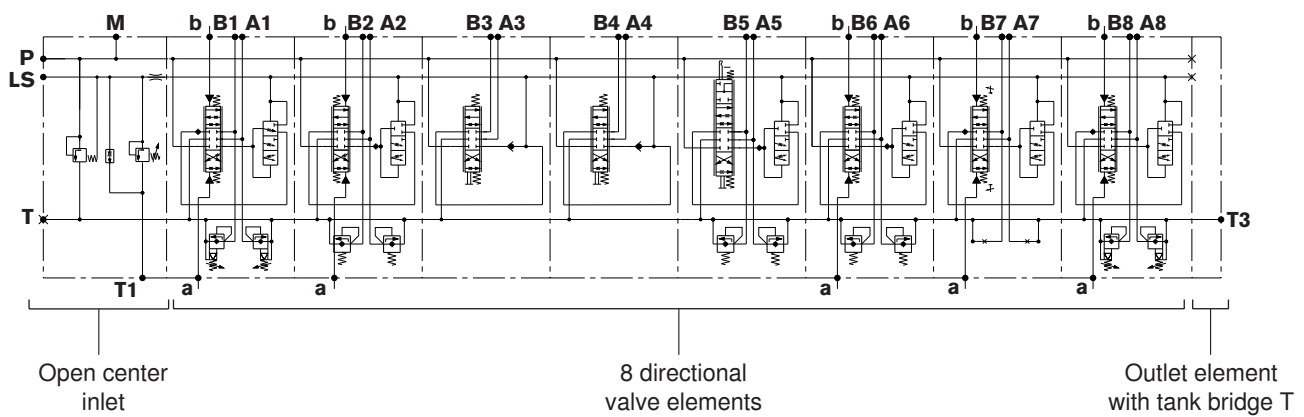
Outlet element with tank bridge T

Ordering detail

R



Circuit example: complete directional control block



Unit dimensions (in mm)

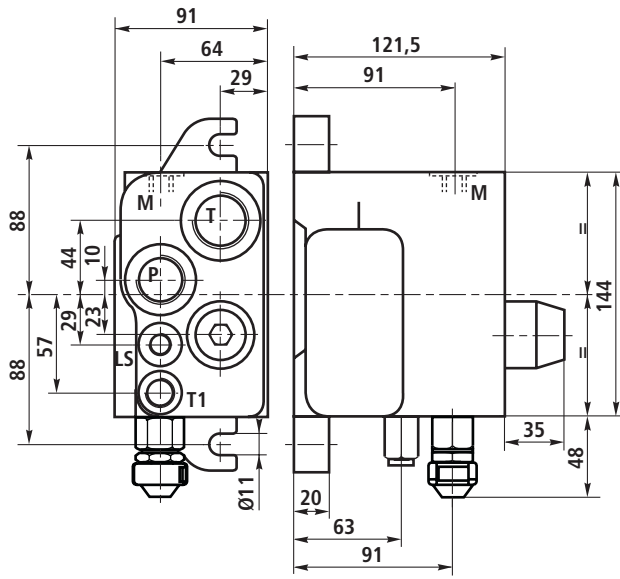
Inlet element in open center execution
 Ordering detail
 P

or

Inlet element in closed center execution
 Ordering detail
 A

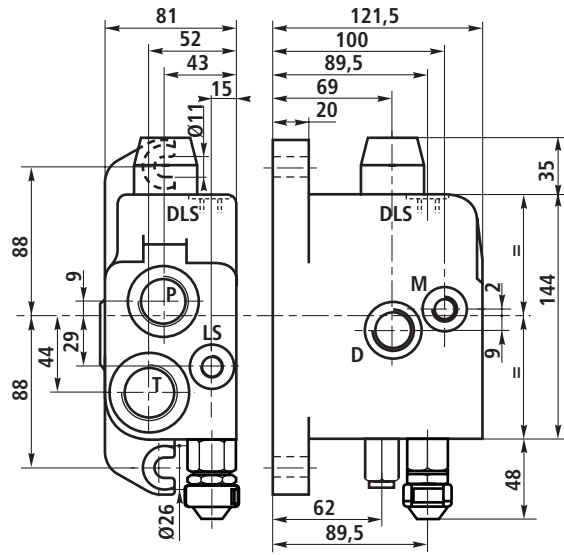
or

Inlet element with flushing valve
 Ordering detail
 S



Inlet element in closed center execution with priority flow divider

Ordering detail
 CD or CS

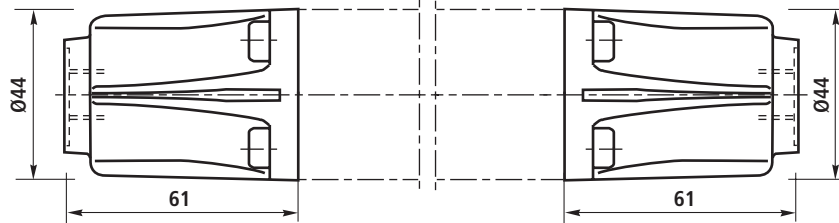


Unit dimensions (in mm)

Hydraulic operator, spool return via a spring

Ordering detail

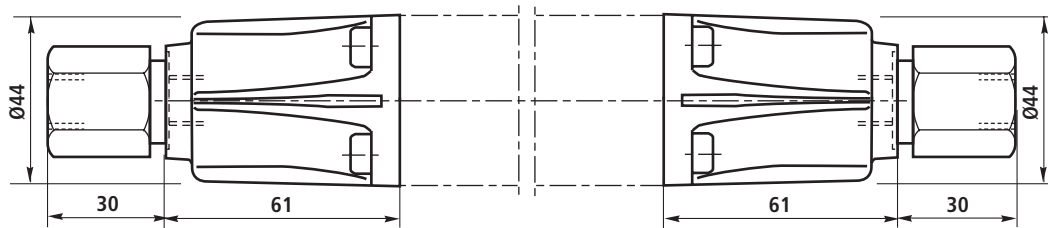
H200



Hydraulic operator with stroke limitation, spool return via a spring

Ordering detail

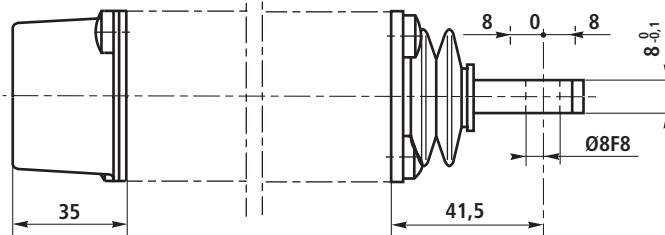
H230



Mechanical operator with tongue, spool return via a spring

Ordering detail

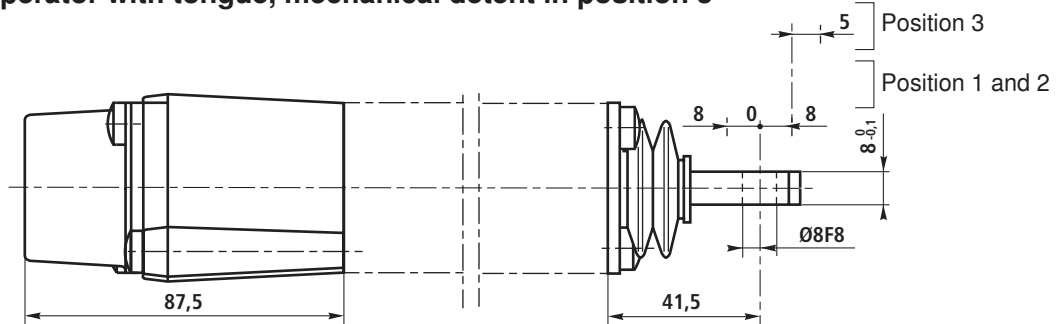
A221



Mechanical operator with tongue, mechanical detent in position 3

Ordering detail

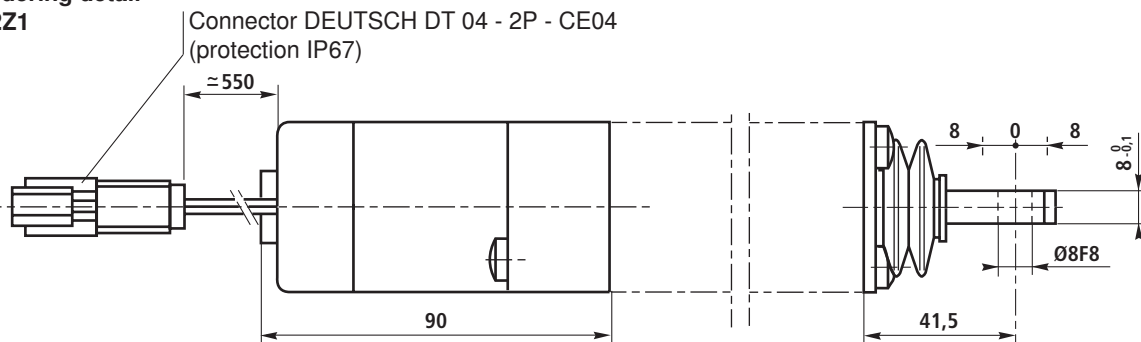
E221



Mechanical operator with tongue, electrical detent when spool is pushed

Ordering detail

S221

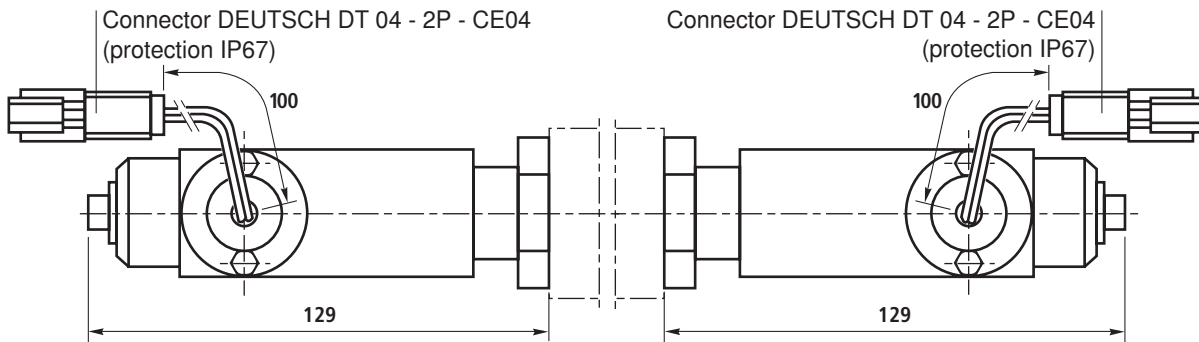


Unit dimensions (in mm)

Direct electrical operation

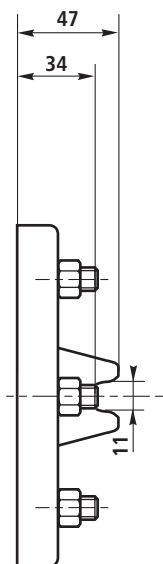
Ordering detail

V212



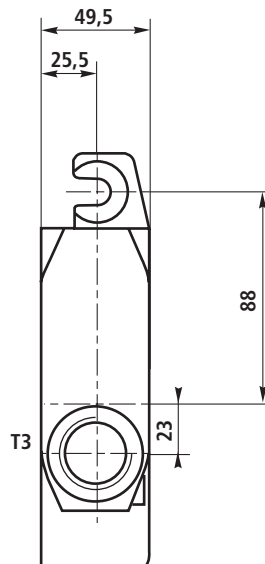
Blanking plate

Ordering detail
L



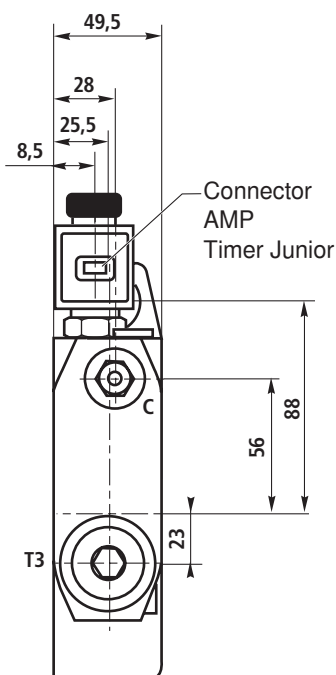
Outlet element with tank bridge

Ordering detail
R



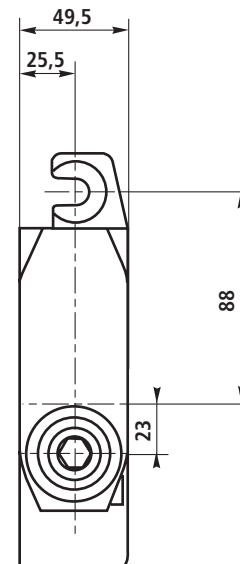
Outlet element with solenoid operated control valve

Ordering detail
C

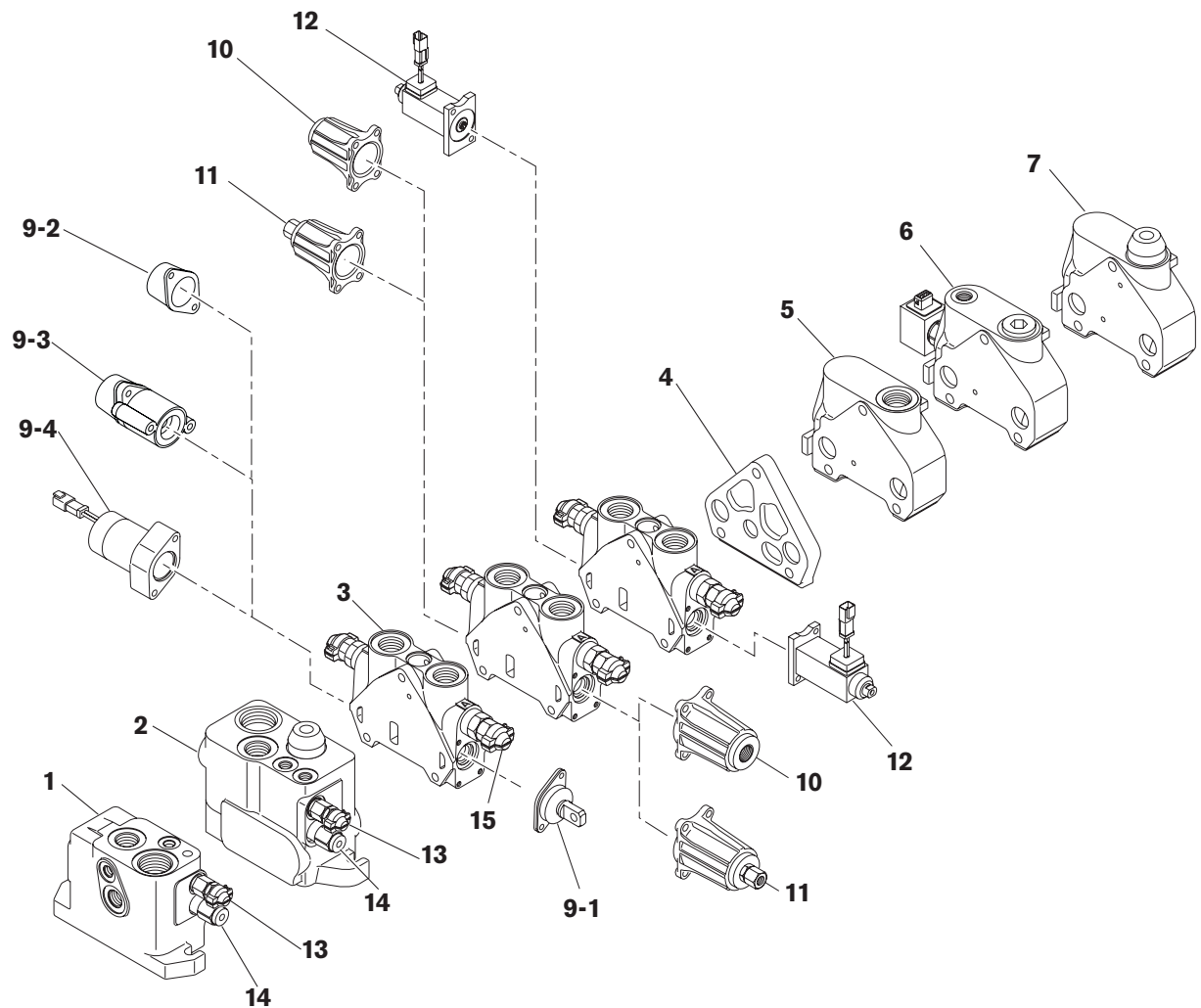


Flushing valve

Ordering detail
F

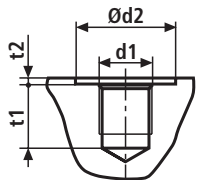


Assembly possibilities



- | | | | |
|-----|---|-----|---|
| 1 | Inlet element with priority flow divider CD or CS | 9-3 | Spring return arrangement, mechanical detent in spool position 3, type E2 |
| 2 | Inlet element - Closed Center A - Open Center P or with flushing valve S | 9-4 | Spring return arrangement, electrical detent when spool is pushed, type S2 |
| 3 | Directional valve element SX14 or SX14S | 10 | Hydraulic operator with spool return via a spring H200 |
| 4 | Blanking plate L | 11 | Hydraulic operator with stroke limitation H230 |
| 5 | Outlet element with tank bridge R | 12 | Direct electrical operation V212 |
| 6 | Outlet element with solenoid operated control valve C | 13 | LS relief valve |
| 7 | Flushing valve F | 14 | Flow control valve |
| 9-1 | Mechanical operator with tongue Z1 | 15 | Secondary valve |
| 9-2 | Spring return arrangement, type A2 | | |

Pipe connections



connection	01				19			
	d1	Ød2	t1	t2	d1	Ød2	t1	t2
A, B, P, T3	G 3/4	42	25	2,5	1-1/16 UNF-2B	42	24	2,4
T	G 1	47	27	2,5	1-5/16 UNF-2B	50	24	3,2
M, LS, DLS, a, b, T1	G 1/4	25	16	1,5	9/16 UNF-2B	26	16	1,6
D	G 1/2	34	20	2,5	3/4 UNF-2B	32	18	2,4

Notes

Bosch Rexroth AG
Hydraulics
Zum Eisengießer 1
97816 Lohr am Main, Germany
Phone +49 (0) 93 52 / 18-0
Fax +49 (0) 93 52 / 18-23 58
info.brm-mc@boschrexroth.de
www.boschrexroth.com

Bosch Rexroth DSI S.A.S.
BP 101
91, bd Irène Joliot-Curie
69634 Vénissieux Cedex, France
Tél. +33 (0) 4 78 78 52 52
Fax. +33 (0) 4 78 78 52 26
www.boschrexroth.fr

© This document, as well as the data, specifications and other information set forth in it, are the exclusive property of Bosch Rexroth AG. It may not be reproduced or given to third parties without its consent.

The data specified above only serve to describe the product. No statements concerning a certain condition or suitability for a certain application can be derived from our information. The information given does not release the user from the obligation of own judgment and verification. It must be remembered that our products are subject to a natural process of wear and ageing.

Subject to revision.

Notes

Bosch Rexroth AG
Hydraulics
Zum Eisengießer 1
97816 Lohr am Main, Germany
Phone +49 (0) 93 52 / 18-0
Fax +49 (0) 93 52 / 18-23 58
info.brm-mc@boschrexroth.de
www.boschrexroth.com

Bosch Rexroth DSI S.A.S.
BP 101
91, bd Irène Joliot-Curie
69634 Vénissieux Cedex, France
Phone +33 (0) 4 78 78 52 52
Fax +33 (0) 4 78 78 52 26
www.boschrexroth.fr

© This document, as well as the data, specifications and other information set forth in it, are the exclusive property of Bosch Rexroth AG. It may not be reproduced or given to third parties without its consent.

The data specified above only serve to describe the product. No statements concerning a certain condition or suitability for a certain application can be derived from our information. The information given does not release the user from the obligation of own judgment and verification. It must be remembered that our products are subject to a natural process of wear and ageing.

Subject to revision.